



MADE IN USA 



S3 RELOAD™

Carbide Die Set - 9mm Luger

DESIGNED FOR S3™ / NAS3™ CASES. WORKS WITH ALL BRASS CASES. SAVE TIME - NO TUMBLING OR TRIMMING TO RELOAD S3™ / NAS3™ CASES GET UP TO 5x MORE RELOADS VS BRASS.

FITS ALL 7/8-14" PRESSES. WWW.S3RELOAD.COM
SPEND TIME SHOOTING, NOT RELOADING!™

SET: ONE CARBIDE FULL LENGTH SIZING/DECAPPING DIE AND ONE EXPANDING/FLARING DIE FOR 9MM LUGER. UNIQUE SPRING LOADED MECHANISM TO PUSH CASES OUT OF THE DIE INSTEAD OF PULLING BY THE RIM TO PREVENT DAMAGE. MADE OUT OF HIGH QUALITY HARDENED STEEL FOR LONG TIME PERFORMANCE.

JUST SWITCH YOUR EXISTING SIZING AND EXPANDING TOOLS WITH THESE AND USE S3 / NAS3™ CARTRIDGE CASES MADE BY SHELL SHOCK TECHNOLOGIES LLC & ENJOY 5x MORE RELOADS WITHOUT TUMBLING, TRIMMING OR OTHER SPECIAL PROCESSES.

SET P/N: S39L7000

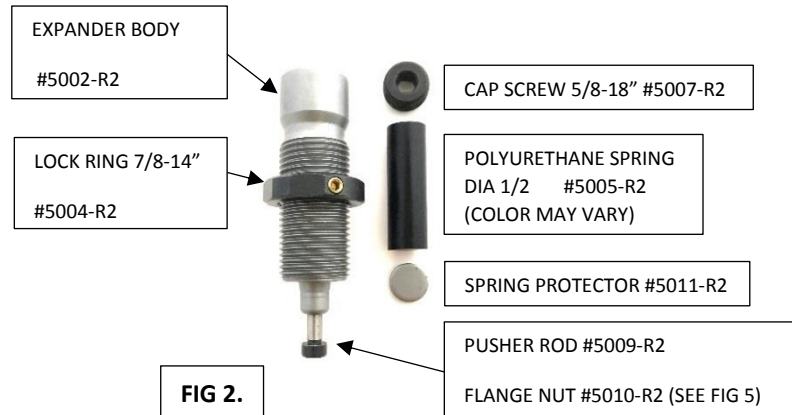
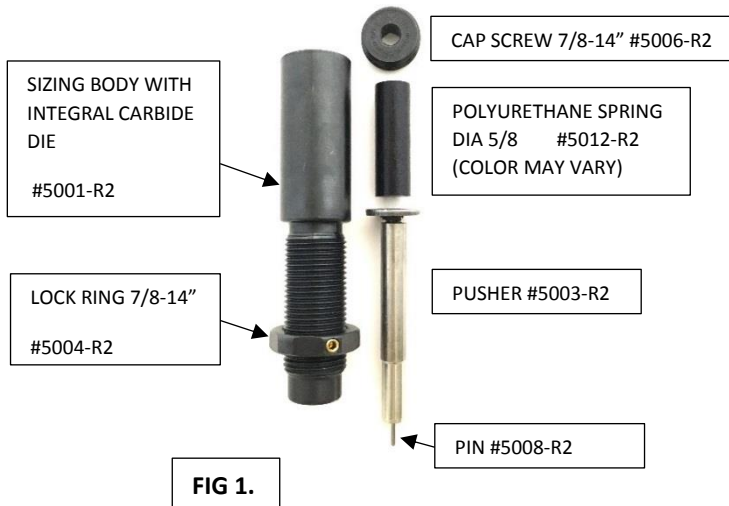
NCT INC. 20 HOLMES RD NEWINGTON CT 06111 INFO@S3RELOAD.COM

INSTRUCTION MANUAL

SEPTEMBER 2016 #INSTR160912

CARBIDE SIZING/DECAPPING DIE P/N: 6000-R2

EXPANDING/FLARING DIE P/N: 6001-R2



PATENT PENDING

S3 RELOAD™ SIZING AND EXPANDING DIES SPECIFICALLY DESIGNED FOR S3™/NAS3™ CASES MADE BY SHELL SHOCK TECHNOLOGIES LLC. USE OF THESE TOOLS REDUCES THE RISK OF COMPROMISING THE HIGH PRESSURE COMPRESSION JOINT OF TWO-PIECE CASE.

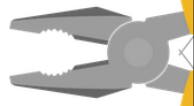
CASE LUBRICATION MUST BE USED FOR SIZING ALL CARTRIDGE CASES TO PREVENT DAMAGE TO CARBIDE INSERT/DIE AND CASES!

FIG 1: instructions for sizing tool.

- Unthread the cap screw to release spring pressure while setting up the die, so pusher can move freely inside the body.
- Actuate the press so shell plate reaches the top of the stroke. Screw down the sizing body into the press until it touches the shell plate (optionally - back up the body counterclockwise 1/8 to 1/4 of the turn), snug the lock ring & tighten brass set screw.
- Reinstall the cap screw until it touches the spring (spring load can be adjusted by tightening or loosening the cap screw)
- Sizing die is ready - **USE CASE LUBRICATION.**
Insert used cartridge case into the shell plate, actuate the press to start sizing, pin will remove spent primer and pusher will push S3™/NAS3™ or Brass case out of the full length carbide sizing die.



FIG 3.



IF DECAPPING PIN IS BENT OR DAMAGED, JUST PULL IT OUT AND ROTATE IT AT THE SAME TIME USING PLIERS – TRY NOT TO BREAK/SNAP THE PIN. GENTLY TAP IN A NEW REPLACEMENT PIN WITH A SMALL SOFT HAMMER. PIN SHOULD BE PUSHED TO THE BOTTOM OF THE HOLE & STICK OUT AROUND 0.350”.

WARNING!

This product is designed only for use on 9 mm Luger cases. **Do not** re-work or re-load cases which fail to have a trim length of 0.754 inches (19.15 mm); cases which are cracked or deformed, which have any separation along the length of the casing, or which contain gunpowder or an unexpended primer. Use only clean inspected cases. Follow all the safety instructions provided by the maker of your press. Wear safety glasses. Caution: Do not use a die unless all the threads of a cap are engaged with the end of the die. A spring might “pop” a cap which is not properly threaded into the die, with risk of serious injury.

After shooting, S3™/NAS3™ case may shrink in length and grow in diameter. After sizing with S3 RELOAD™ tool, a case should return to a nominal original dimensions. See FIG 4.

FIG 4.

THIS PICTURE SHOWS PROPERLY SIZED CASE WITH S3 RELOAD™ DIE.



FIG 2: instructions for expanding tool.

- Unthread the cap screw to release spring pressure while setting up the die, so pusher rod can move freely inside the body.
- Insert SIZED cartridge case into the shell plate, actuate the press so shell plate reaches the top of the stroke. Screw down the expander body into the press until you feel that the EXPANDER touches/engages the top of the case. See FIG 5.
- Raise the press handle to disengage the EXPANDER. Screw in the expander body 3 full turns to lower it around 0.210”. This gives you an “APPROXIMATE STARTING POSITION” for proper case mouth flare. Note that one full turn of the die/body is approximately 0.070”.
- Reinstall the cap screw until it touches the spring (spring load can be adjusted by tightening or loosening the cap screw).
- Actuate the full stroke of the press to start expanding/flaring of the case. Measure the flaring of the case mouth. This is a trial-and-error adjustment. Continue setting up/adjusting process until desired flaring is achieved. Try adjustments in ¼ turn increments or less. Tighten the lock ring and set screw to lock the position of the die once desired location is found.

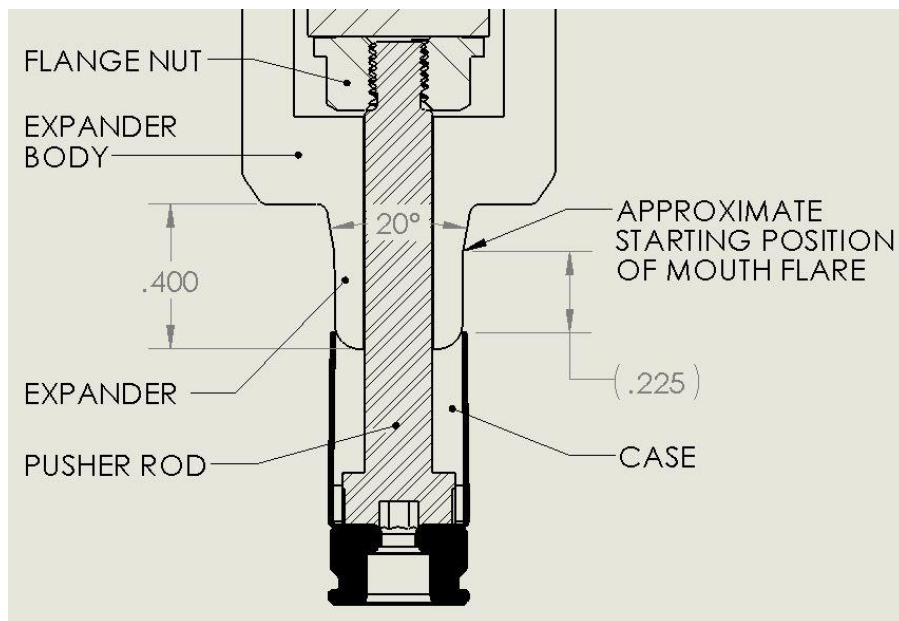


FIG 5.

WARNING!

Do not over-expand the mouths of cases with the expanding/flaring die, since that may cause splits or may result in insufficient crimping on a bullet. **Do not** use your dies if they have been damaged or do not move freely. **Do** apply suitable lubricants to the moving parts of dies and protect from corrosion. **Do** use case lube to lubricate the surfaces where dies contact cases. Caution: Do not use a die unless all the threads of a cap are engaged with the end of the die. A spring might “pop” a cap which is not properly threaded into the die, with risk of serious injury.

Lead Warning: Handling ammunition cases may result in exposure to lead and related substances known to cause birth defects, reproductive harm and other physical/mental injury. Have adequate ventilation and wash hands.

LIMITED WARRANTY

S3 Reload™ dies are warranted only against material defects and workmanship as long as the original owner owns the product. This warranty is void if (a) the product has been used in inconsistently with user instructions, mis-used, damaged, intentionally altered, repaired by other than NCT, or has been improperly maintained and preserved; or (b) the product has been used commercially, in other-than manual presses, or for uses other than re-shaping ammunition cases. A product must be returned to NCT at the address shown on the user instructions with proof of purchase for evaluation. At NCT’s sole option we will repair, replace, or refund the purchase price of any product or part found to be defective, without charge except for reasonable shipping, handling and insurance charges. No other warranty is expressed or implied.

This is your exclusive remedy for any defective product. In no event shall NCT be liable for any special, incidental, or consequential damages arising from purchase or use of products, howsoever based. Some State laws may not allow the foregoing exclusion. You may have other rights which vary from State to State.

NCT Inc. 20 Holmes Rd., Newington CT 06111
www.S3RELOAD.com info@s3reload.com

Copyright NCT Inc. 2016. All rights reserved.
 S3 and NAS3 are trademarks of Shell Shock Technologies LLC.